

## Service description

Product: ST2440	Service description no: 4140-S001	Ver: 1
--------------------	---	-----------

### Symptom

Screw holes on the bracket 14140021 and 14140022 do not fit against lap bank 14140033. (Figure 1)



Figure 1

### Caused by

1. Manufacturing defects on the racks produced between 30.08.2011 and 01.12.2011

### Solution

1. Mark and drill a new hole  $\text{Ø}13$ . (Figure 2)

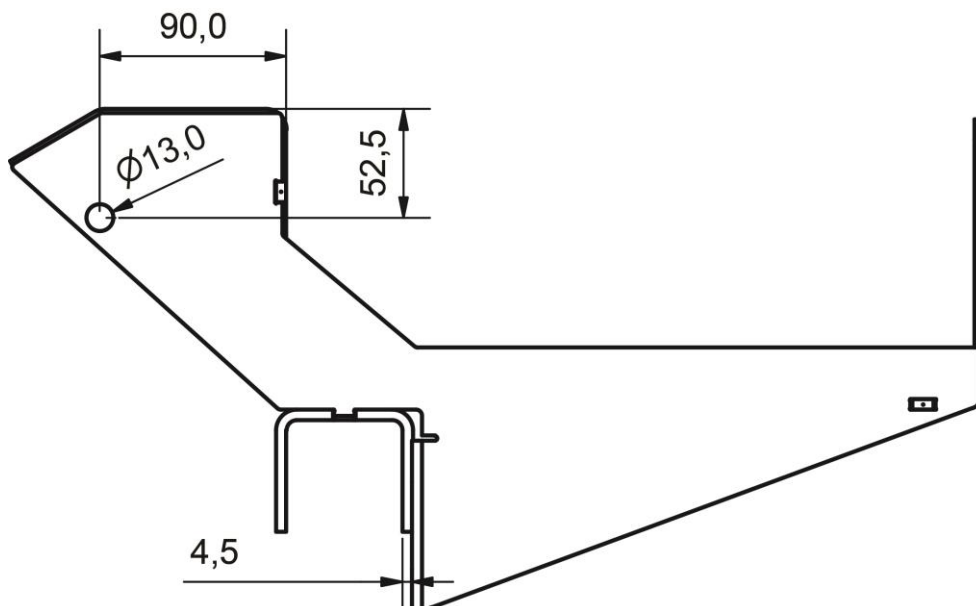


Figure 2